

Stand-Alone Thermal Label Printer with Touch Screen

Model: TSDP5000ES3S

Intelligent Stand-alone Thermal Direct Label Printer with colour touch screen operator panel, built-in operator training modules and multimedia functionality.

FEATURES

TSDP5000ES3S

- thermal direct label printing
- 300 dpi print resolution
- intelligent stand-alone type printer
- easy front loading label roll change
- built-in operator training modules
- configurable colour touch screen user interface
- multimedia functionality
- remote diagnostics and support
- helpful on-screen operator prompts
- user display rotates left/right and up/down for easy operation
- easily switch between receipt printing and label printing
- linerless labelling is available as a factory fitted option (Model Number TSDP5000EL3S)

OPTIONS

Product Number	Description
BL9730	Wireless interface
TSDP5000EL3S	Linerless labelling model
BL0606	Thermal printhead cleaning kit

VARIATIONS

Model Number	Print Resolution	Max Print Speed	Max Print Width	Overall Dimensions (mm)
TSDP5000ES3S	300 dpi	150 mm / second	76 mm	220 (W) x 422.6 (D) x 407.5 (H)

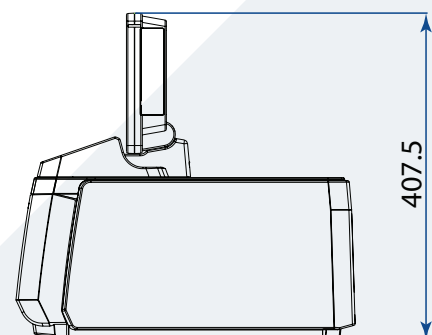
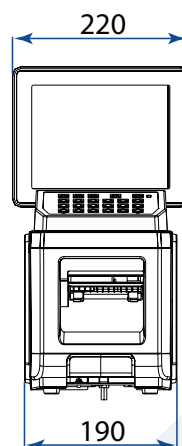
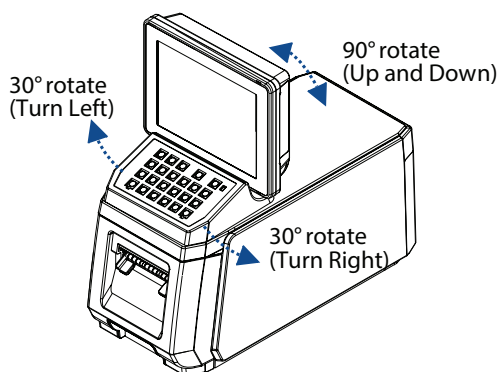
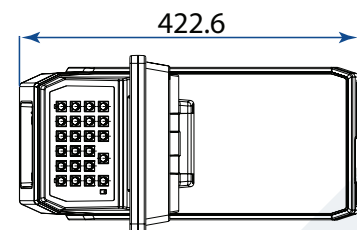


Specifications may change without notice



SPECIFICATIONS

Print Method - Direct Thermal	Yes
Print Method - Thermal Transfer	No
Printer Type	Industrial
Print Head Type	Flat Head
Maximum Print Speed	150 mm per second
Maximum Print Width	76 mm
Maximum Print Length	350 mm
Maximum Label Width	80 mm
Maximum Label Roll Size	125 mm OD (100 mm OD if using rewind)
Label Core Size	40 mm
Maximum Ribbon Length	NA
Maximum Ribbon Width	NA
Ribbon Wind Direction	NA
Ribbon Core Size	NA
Communication Type:	
Ethernet	Yes - Standard
WiFi	Yes - Optional
Peel & Present	Yes - Standard
Internal Rewinder	Yes - Standard
Overall Dimensions (mm)	220 (W) x 422.6 (D) x 407.5 (H)
Net Weight	10.8 kg



Specifications may change without notice