

Bench Top Vacuum Sealer

Model: WFV78BGD7

Constructed from high-grade stainless steel and coupled to a Busch Vacuum Pump from Germany, this bench-top vacuum sealer is designed for heavy commercial use, and is the perfect compromise between size and capacity.

It features dual 510 mm sealing bars, large chamber and is simple to operate with user-friendly buttons for creating/editing and storing up to 20 sealing programmes, along with an easy to read vacuum gauge.

Our entire vacuum sealer range is designed and constructed in Italy to the very highest standards. You will be delighted with the superior finish and reliability of this machine, which will give you years of trouble free use.

FEATURES

WFV78BGD7

- dual 510mm sealing bars (front & back)
- high grade stainless steel construction
- easy to use digital controls
- 20 programmes
- German Busch pump with 25m³ per hour
- piston welding bar for easy cleaning and longevity
- gas insertion point for regassing

SPECIFICATIONS

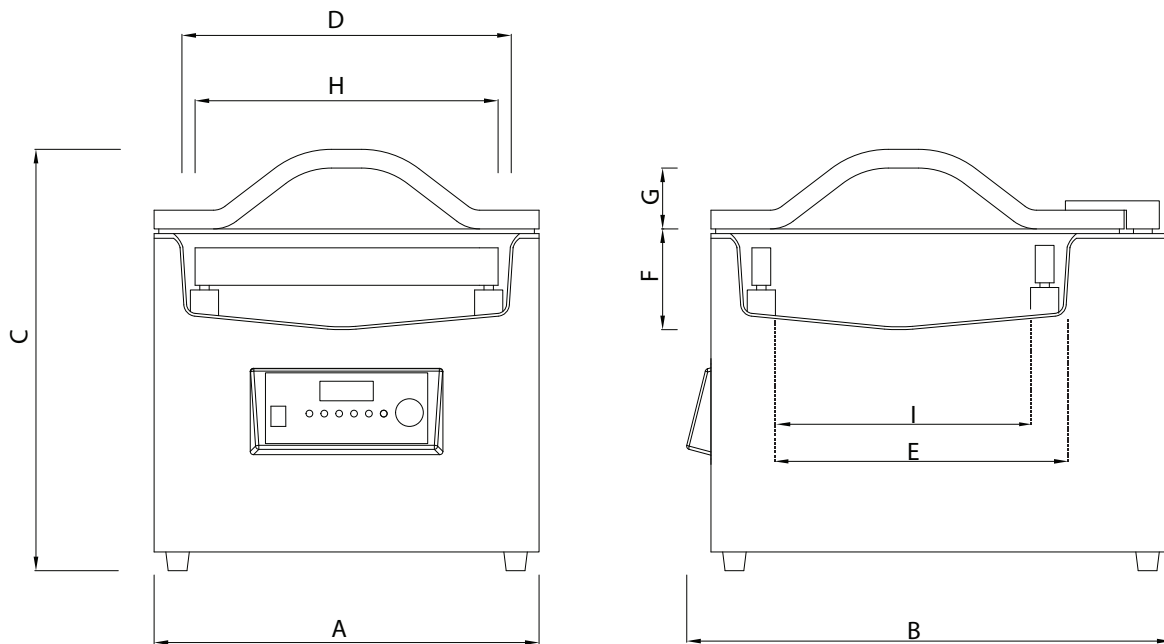
Sealing Bar Width (mm): 510
Overall Dimensions (mm): 620 (W) x 700 (D) x 500 (H)
Power: single phase



Specifications may change without notice

DIMENSIONS (MM):

Drawing Reference	Dimension Description	Size (mm)
A	Machine width	620
B	Machine depth including operator panel	700
C	Machine height including feet & lid	500
D	Inside chamber width	530
E	Inside chamber depth (inside front sealing bar to back of the chamber)	480
F	Inside chamber height excluding domed lid	155
G	Inside height domed lid	80
H	Sealing bar width	510
I	Inside chamber depth between sealing bars	430



Specifications may change without notice