

# Digital Analytical Balance

Model : SDHTN220

The SDHTN220 offers precise and reliable analytical weighing with all the tuning fork sensor advantages. "Plug and Perform" (no warm-up time required), low energy consumption, longterm reliability, automatic internal calibration all within a compact body providing the features and reliability required for modern laboratory weighing.

## FEATURES

SDHTN220

- extended 5 year warranty
- tuning fork weighing sensor
- automatic internal calibration
- easy to read bright back-lit LCD display
- quick stable indication with tuning fork sensor
- choice of weighing units; mg, g, ct, oz, lb, ozt, dwt, GN, momme, MSG, THL, TLS TLT, tola, BAT
- comparator function
- counting mode
- percentage mode
- coefficient mode
- specific gravity mode
- animal weighing mode
- addition function
- anti-electrostatic 360° transparent windshield
- RS232 interface for connecting to printers and other peripheral devices
- bar graph display
- tare function

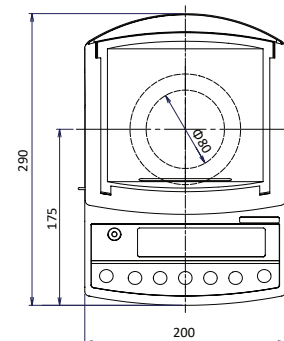
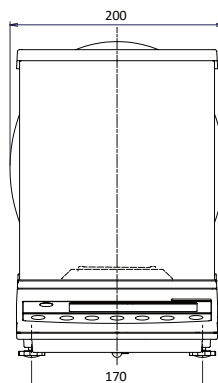
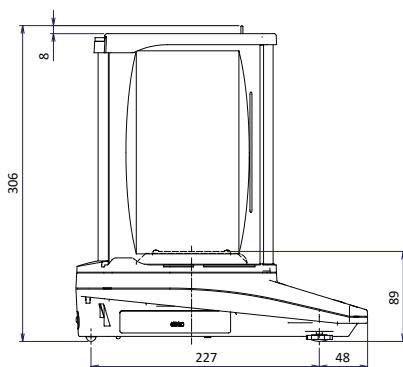
Refer to page 2 for specifications



Specifications may change without notice

## VARIATIONS & SPECIFICATIONS

Model Number	SDHTN220
Capacity	220 g
Readability (d)	0.1 mg
Verification Intervals	1 mg
Pan Size (mm)	80 dia
Overall Dimensions (mm)	200 (W) x 290 (D) x 306 (H)
Repeatability (sd)	0.1 mg
Linearity	0.3 mg
Stabilization time (typ)	3.0 sec
Tare Range	Full
Draught Shield	Standard
Calibration	Internal & External
Printer Output	RS232 Standard
Comparator Function	Yes
Below Balance Weighing	No
Checkweighing Function	Yes
Counting Function	Yes
Percentage Function	Yes
Statistics Function	Yes
Density Determination	Yes with optional density determination kit (Order code # SDHT-DK)
Moisture Analysis	No
Communication Protocol	RS232C
Operating Temperature	10°C to 30°C
Power	AC Adaptor; 6V DC / 230V AC
Environment Suitability	Dry, dust-free, clean with ambient temperature
Ingress Protection	No
Weight	Approx. 2.9 kg



*Specifications may change without notice*