

High Precision Economy Digital Balances

Model : SDAB Series

The Vibra AB Series Digital Balances feature basic applications which are indispensable in daily laboratory and industrial work. They are trade approved in New Zealand when in gram weighing mode, user friendly and provide an affordable entrance into high grade weighing solutions.

FEATURES

SDAB SERIES

- legal for trade use when in gram weighing mode
- extended 5 year warranty
- large, easy to read, backlit LCD display (16.5 mm height)
- tuning fork frequency sensing weighing technology
- choice of weighing units; g, ct, oz, lb, ozt, dwt, GN, PCS, %
- counting function
- percentage weighing function
- comparator function
- glass windshield prevents disturbance created from air movement where high precision weighing is required (models SDAB323 & SDAB623)
- RS232C output as standard for straight forward connectivity to peripheral devices such as PCs or printers
- full tare weighing function

OPTIONS

- standard printer (order code # SDCBM-910 II)
- dry cell battery (order code # SDABBAT)
- factory fitted internal calibration system (order code # SDAB-R Series)

SPARE PARTS

- AC Adaptor (order code RD0389)
- clear protective cover (order code GY2990)



Refer to page 2 for variations and specifications

Specifications may change without notice

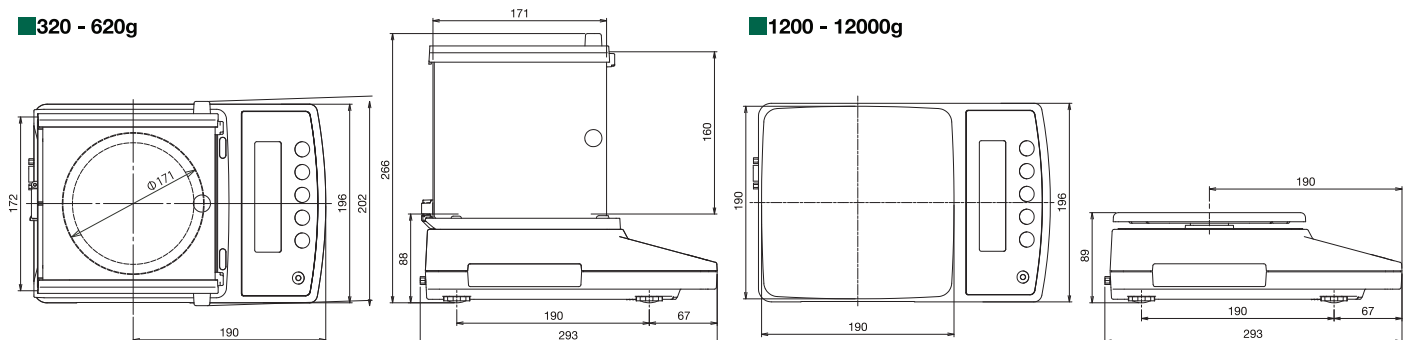
▲ Weighing Scales.

Weighing Scales. Packaging Equipment. Labelling Equipment.
Labels. Food Equipment. POS Solutions. Maintenance & Repairs.

VARIATIONS & SPECIFICATIONS

Model Number	SDAB323	SDAB623	SDAB1202	SDAB3202	SDAB12001
Capacity	320 g	620 g	1200 g	3200 g	12000 g
Readability (d)	0.001 g	0.001 g	0.01 g	0.01 g	0.1 g
Pan Size (mm)	140 dia		190 (W) x 190 (D)		
Overall Dimensions (mm)	293 (W) x 202 (D) x 206 (H)*		293 (W) x 196 (D) x 89 (H)		
Repeatability (sd)	0.001 g	0.001 g	0.01 g	0.01 g	0.1 g
Non-Linearity (typ)	±0.003 g	±0.004 g	±0.02 g	±0.03 g	±0.2 g
Stabilization time (typ)	3.0 sec	3.5 sec	3.0 sec	3.5 sec	3.0 sec
Draught Shield	Yes		No		
Tare Range	Full Capacity				
Calibration	External				
Printer Output	RS232				
Comparator Function	Yes				
Below Balance Weighing	No				
Checkweighing Function	Yes				
Counting Function	Yes				
Percentage Function	Yes				
Statistics Function	No				
Density Determination	No				
Moisture Analysis	No				
Communication Protocol	RS232				
Operating Temperature	10°C to 30°C				
Power	AC Adaptor; 6V DC / 230V AC				
Environment Suitability	Dry, dust-free, clean with ambient temperature				
Ingress Protection	No				
Weight	approx 3.5 kg		approx 2.6 kg		

* includes windshield



Specifications may change without notice