

Weigh Labelling Scale (Customer Self-Service)

Model : SM5500XS15TD

Intelligent Weigh Labelling Scale for simple, fast and intuitive self-service when weighing, pricing and labelling goods. Features a 12.1" built-in full colour advertising display. Trade approved in New Zealand, it's the perfect retail scale for those stores wanting a point of difference for their customers.

FEATURES

SM5500XS15TD

- legal for trade use (TS1987)
- 12.1" TFT SVGA with Touch
- front loading label cassette makes for easy label change
- product related information such as recipes or coupons
- graphics printing on labels and receipts
- remote diagnostics and support
- helpful on-screen operator prompts
- operator display adjustable angle to suit user / counter
- automatic out-of-level compensation
- virtual level bubble
- low label sensor

OPTIONS

- 19" operator display (factory option)
- dynamic linerless label printing with auto cutter (factory option)
- peripheral information printer
- peripherals for multimedia functionality
- electronic shelf label (wireless link to scales - no additional store infrastructure required)
- wireless interface
- back office software

VARIATIONS

Model Number	Max Capacity	Graduation	Platform Size (mm)	Overall Dimensions (mm)
SM5500XS15TD	15 kg	0 - 6 kg x 2 g 6 - 15 kg x 5 g	360 (W) x 285 (D)	360 (W) x 481 (D) x 637 (H)



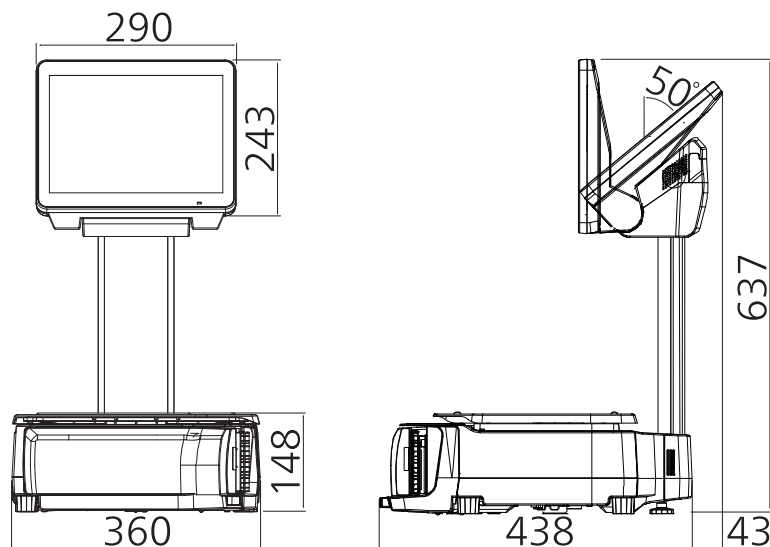
Specifications may change without notice

SPECIFICATIONS

Legal for Trade Use	Yes (Australia and New Zealand)	
Scale Type	Bench with Pole Mounted Customer Display	
Display Panel - Operator	Standard 12.1" TFT SVGA with Touch	Optional 19" TFT SVGA with Touch

Processor	ARM Cortex A9 (iMX6 Dual) Dual Core 1GHz	
Operating System	Linux	
System / Storage Memory	1GB DDR3 SDRAM 1066MHz 32GB SDHC card	
Label / Receipt		
Labeller Type	Liner	Linerless with Auto-Cutter
Roll Diameter	125 mm (max)	95 mm (max)
Print Width	70 mm (max)	60 mm (max)
Paper Width	72 mm (max)	62 mm (max)
Printing Speed	up to 150 mm/second*	up to 150 mm/second*
Print Resolution	300 dpi	300 dpi
Operating Temperature	- 10 ° C to + 40 ° C	
Standard Interfaces	1 x Ethernet 4 x USB 1x RJ11	
Net Weight	13.3 kg	

* To achieve maximum print speed, high sensitivity thermal paper is required



Specifications may change without notice