

Bench Top Patty Maker

Model : WFP2013UV

The compact yet powerful Wedderburn bench-top patty maker is designed to form between 800 and 3,700 patties per hour. Expect a fast return on investment as you easily add value to your product with this affordable machine.

As with all Wedderburn products, the patty maker is designed with safety in mind, with built-in safety interlocks that prevent the user from sustaining injury.

FEATURES

WFP2013UV

- includes drum
- forms between 800 and 3,700 patties per hour (variable speed)
- precise portion control
- in-drum adjustment to easily adjust patty thickness (up to 30 mm deep) / weight without the need for tools
- range of standard drum sizes available with custom shapes and sizes available to order on indent (refer to options on page 2)
- click-in / click-out drum interchange for easy exchange or cleaning of drums
- user selectable paper interleaving – great for non-stick stacking of patties, waxed paper is automatically placed under patties making patties easy to stack
- safe and efficient hands-free control of the machine via air-operated foot switch or automatic mode
- easy to disassemble for fast cleanup and food contact parts are dishwasher safe
- single phase 230 V
- 20 litre hopper is factory standard
- net weight 68 kg

FACTORY OPTIONS

- single drum - possible size range is between 56 mm and 130 mm in diameter
- double drum with a 55 mm maximum diameter for each patty / portion
- design your own patty shape and we'll have a drum made for you
- longer 900 mm conveyor belt
- large paddles for product feeding
- 40 litre hopper



SPECIFICATIONS

Model Number	Hopper Capacity	Drum Size	Overall Dimensions (mm)
WFP2013UV	20 litre	100 mm diameter	618 (W) x 637 (D) x 629 (H)
WFP2013UV50	20 litre	50 mm diameter (2 across)	618 (W) x 637 (D) x 629 (H)

Specifications may change without notice

ORDER CODES FOR OPTIONS & CONSUMABLES

Order Code	Description
BK0024	single-side wax paper (20,000 sheets per box)
BK0025	double-side wax paper (14,000 sheets per box)
DRUMSINGLE60	patty drum single 60 mm
DRUMSINGLE80	patty drum single 80 mm
DRUMSINGLE100	patty drum single 100 mm
DRUMSINGLE120	patty drum single 120 mm
DRUMSINGLE130	patty drum single 130 mm
DRUMDOUBLE22	patty drum double 22 mm
DRUMDOUBLE28	patty drum double 28 mm
DRUMDOUBLE38	patty drum double 38 mm
DRUMDOUBLE50	patty drum double 50 mm
DRUMCUSTOM	patty drum custom shape single / double



Drums



Paper attachment

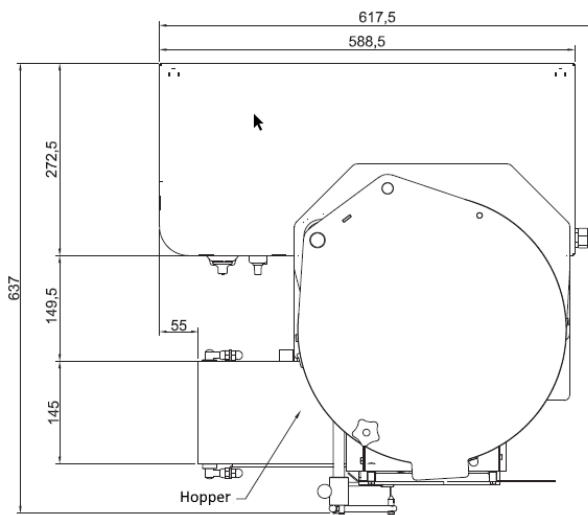


Easy-to-clean with removable parts

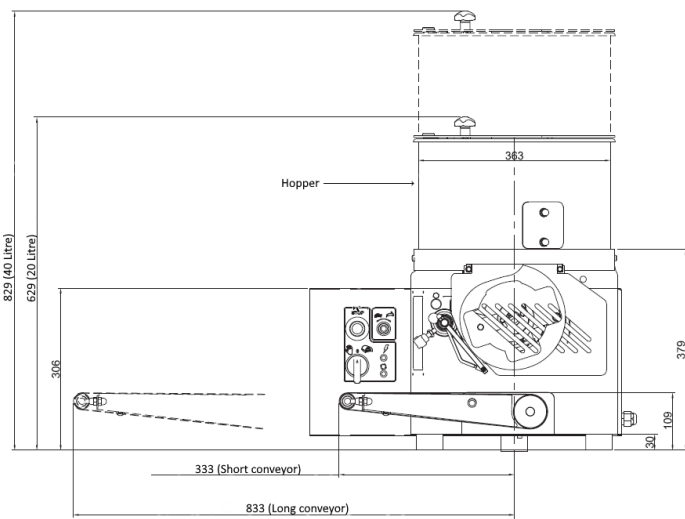


Operator panel

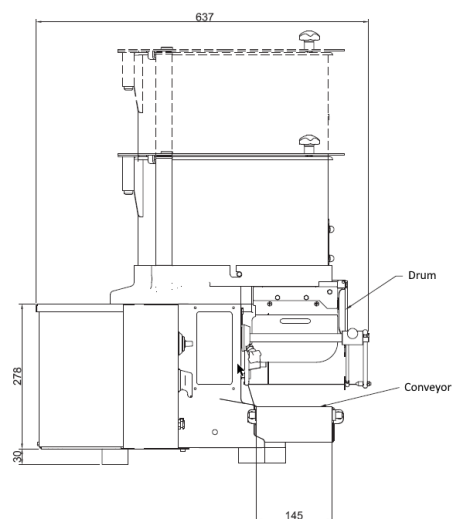
DIMENSIONS



Top View



Front View



Side View

Specifications may change without notice

Weighing Scales. Packaging Equipment. Labelling Equipment.
Labels. Food Equipment. POS Solutions. Maintenance & Repairs.