

Bench Top Vacuum Sealer

Model: WFVECOVAC42F7

Commercial Ecovact chamber vacuum sealer designed and constructed in Italy.

It features a 420 mm sealing bar, is easy to operate and can store up to 10 programmes. It's constructed from food grade stainless steel and the superior build quality ensures it is one of the most reliable and trouble-free vacuum sealing machines available.

FEATURES

WFVECOVAC42F7

- 420 mm sealing bar (front)
- high grade stainless steel construction
- LCD display
- easy to use digital controls
- 10 programmes
- piston welding bar for easy cleaning and longevity
- single phase power
- 16 m³ per hour vacuum pump

SPECIFICATIONS

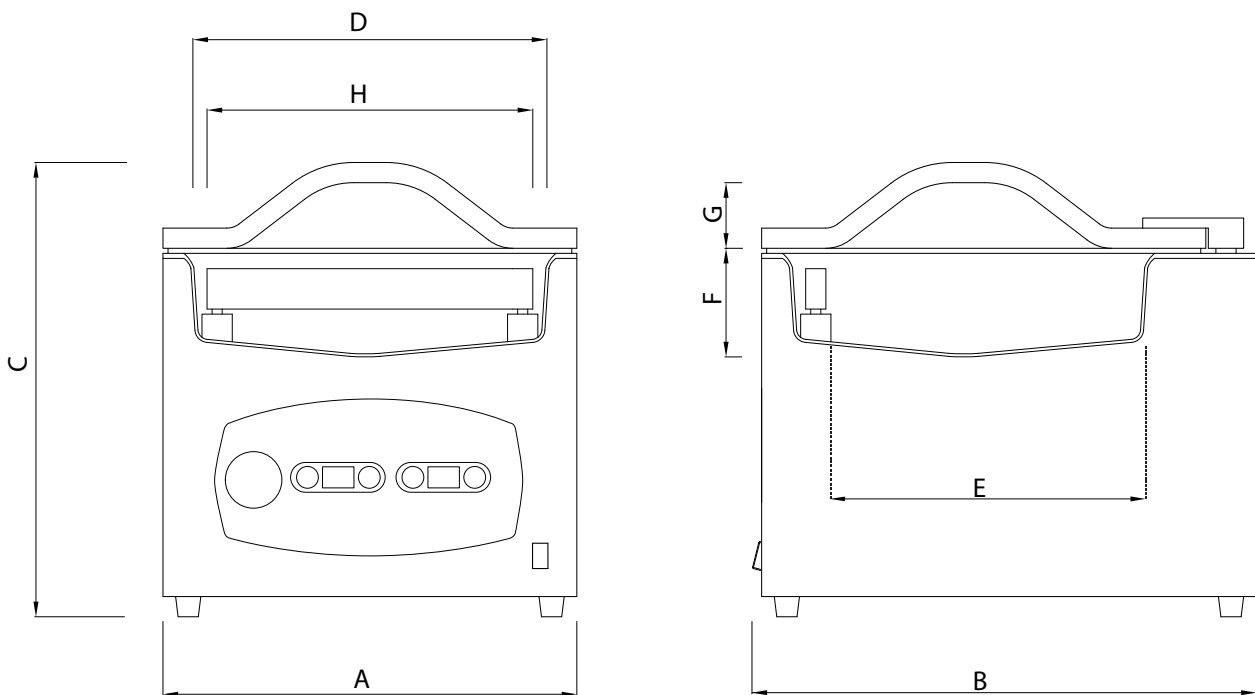
Sealing Bar Width (mm): 420
Overall Dimensions (mm): 510 (W) x 565 (D) x 500 (H)
Power: single phase



Specifications may change without notice

DIMENSIONS:

Drawing Reference	Dimension Description	Size (mm)
A	Machine width (excluding fittings)	510
B	Machine depth including on/off switch	565
C	Machine height including feet & lid	500
D	Inside chamber width	430
E	Inside chamber depth (inside front sealing bar to back of the chamber)	380
F	Inside chamber height excluding domed lid	135
G	Inside height domed lid	76
H	Sealing bar width	420



Specifications may change without notice